

Electro-Voice®
a gulton company



Model 307 Shock Mount

SPECIFICATIONS

Material:
Steel, aluminum, Lexan

Finish:
Non-reflecting gray

Dimensions:
See Figure 1

Weight:
227 g (8 ounces)

Accessories:
5/8 in. -27 stand adapter

DESCRIPTION AND APPLICATIONS

The Electro-Voice Model 307 suspension shock mount adapts to boom use any microphone having a cylindrical 3/4-inch diameter case. It may be attached directly to a microphone boom or floor stand.

The 307 shock mount permits quick installation or removal of a microphone without tools. A molded plastic support

grips the microphone snugly and is supported by two molded neoprene shock cords to provide maximum isolation from shock.

The Electro-Voice Model 307 shock mount assembly can be boom or stand mounted to provide shock isolation for the DO56, RE10, RE11, RE15, RE16, RE18, RE55, 635A, 649B or other microphones having cylindrical 3/4-inch diameter barrels.

REPLACEMENT PARTS

Should the rubber suspensory ligaments (shock cords) wear out through excessive use, deteriorate due to atmospheric conditions, or in any way change, new ones may be ordered from Electro-Voice, Inc., Buchanan, Michigan 49107. Write to the attention of Miscellaneous Parts Department and request Part No. 77341. You will be billed for the cost.

Specifications subject to change without notice.

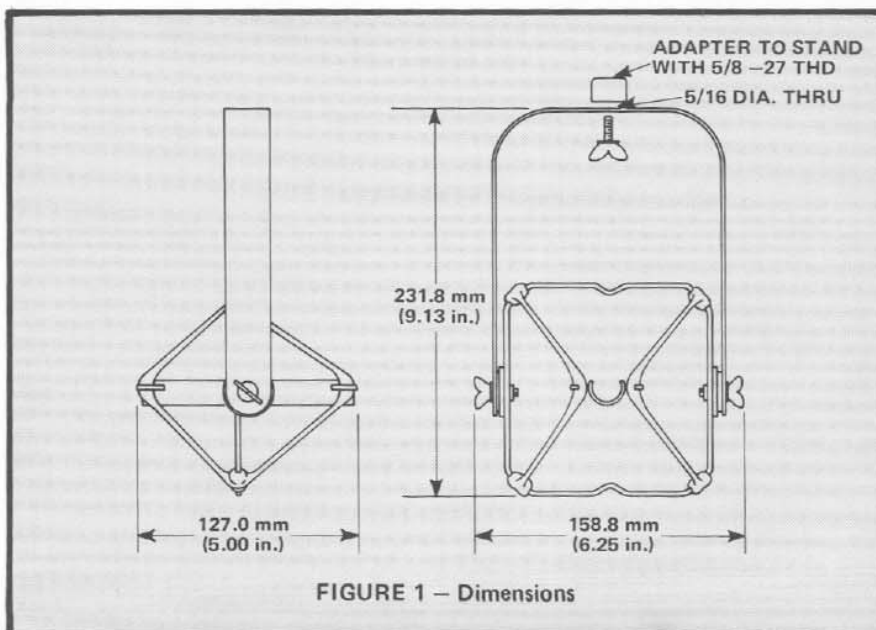


FIGURE 1 - Dimensions